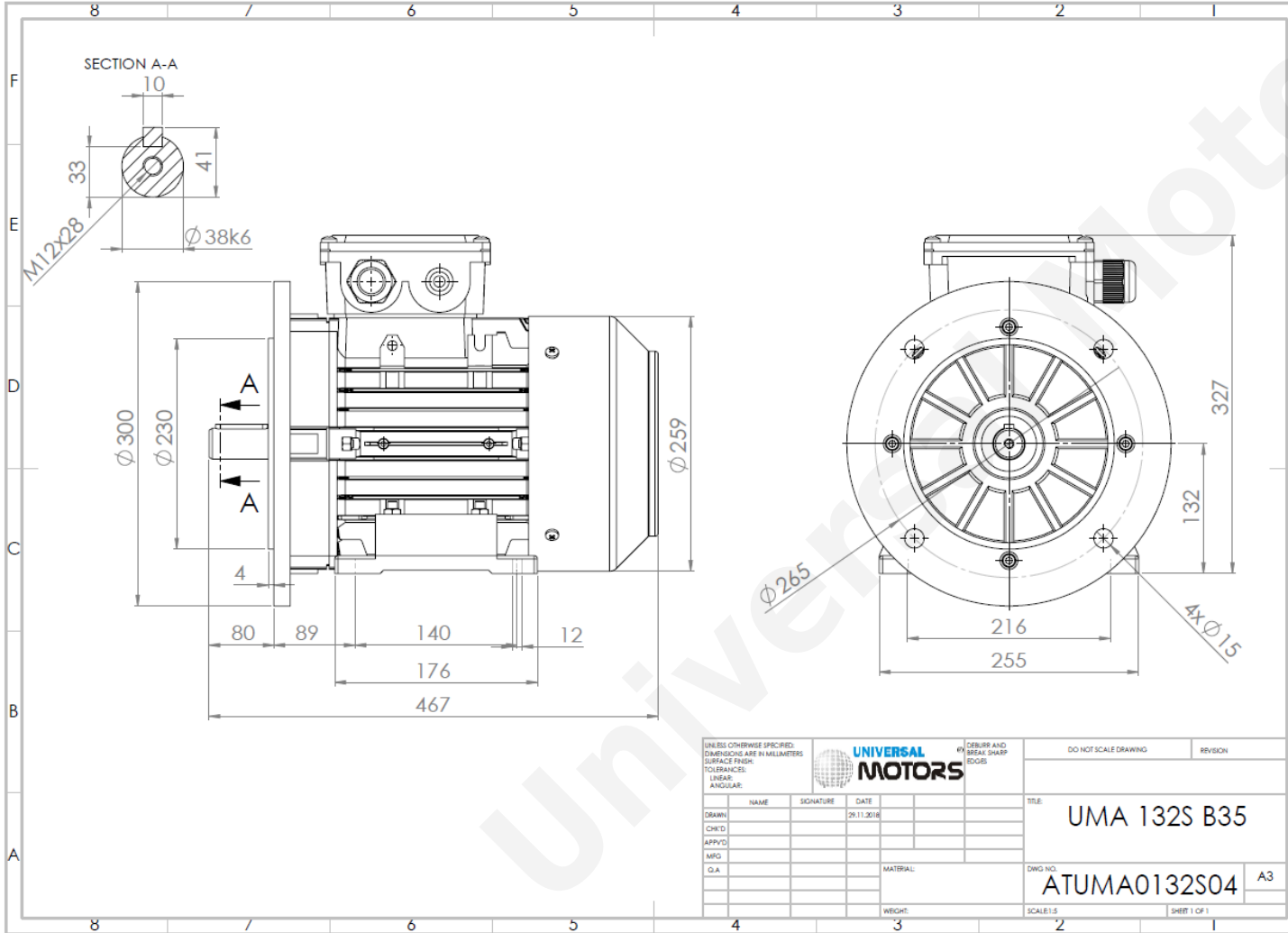




TECHNICAL DATA

Three Phase Electric Motors - Aluminum Frame
 UM2A 132S2-2
 7.5 kW / 10 Cv
 2930 RPM



Motor type:	UM2A 132S2-2
Output:	7.5 kW / 10 Cv
Speed (min ⁻¹):	2930 RPM
Frequency:	50 Hz
Voltage:	400 V
Current:	13.5 A
Power factor (Cos Ø):	0.91
Poles:	2
Insulation class:	F
Temperature rise Class:	B
Efficiency 50%:	87.9 %
Efficiency 75%:	88.6 %
Efficiency 100%:	88.1 %
Torque:	25 N.m
Tstarting/Tnominal:	2.5
Istarting/Inominal:	9.8
Tmaximum/Tnominal:	3.5
Noise:	80 Db(A)
Weight:	47.3 Kg
Brake AC:	AC7
Torque Brake DC:	80 N.m
Bearing DE:	6308 2Z
Bearing NDE:	6208 2Z
Torque Brake AC:	90 N.m
Brake DC:	REB-05-16

Regime - S1

Altitude - 1000m

Environment Temperature - 40°C

CONTACTS:

UNIVERSAL MOTORS Tel: +351 252 299 080
 Rua de São Brás,745 Fax: +351 252 299 089
 4480-782 VILA DO CONDE Mail: geral@universalmotors.pt

* References applied only in the UK